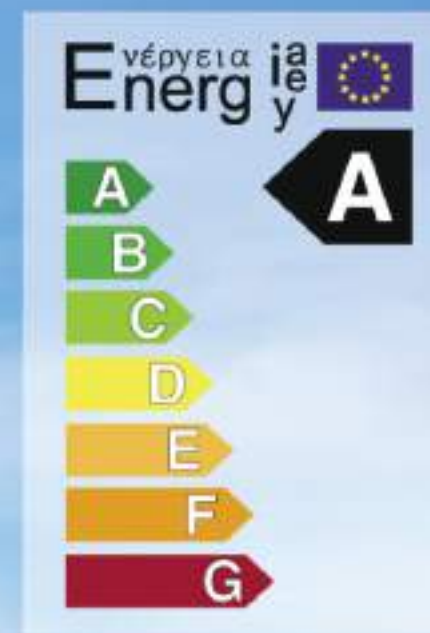




# APS INTELLIGENT FREQUENCY CONVERTER CIRCULATION PUMP



The APS series pumps are made up of permanent magnetic motor, integrated with frequency converter technology.

It can run automatically just as you need to energy saving.

### Applications

The VOSSCHE APS is designed for circulating liquids in heating systems, and also can be used in domestic hot-water systems.

The VOSSCHE APS is suitable for:

- Systems with constant or varying flows where it is desirable to optimise the pump duty point
- Systems with variation with temperatures
- Systems where night setback is required

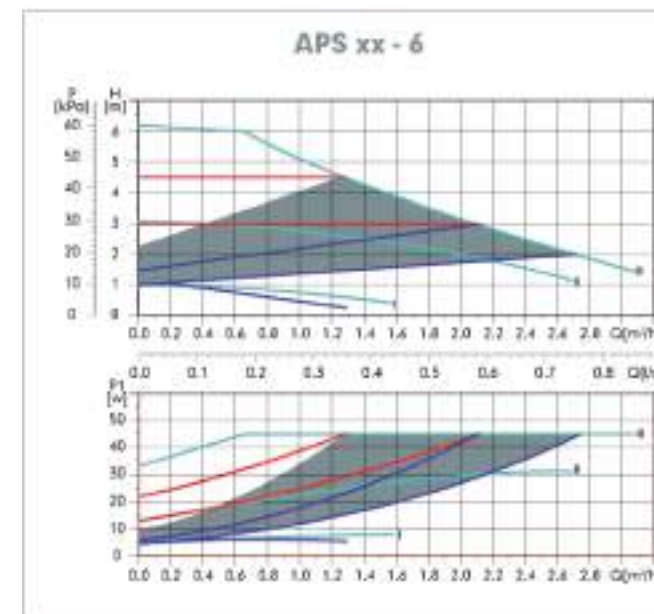
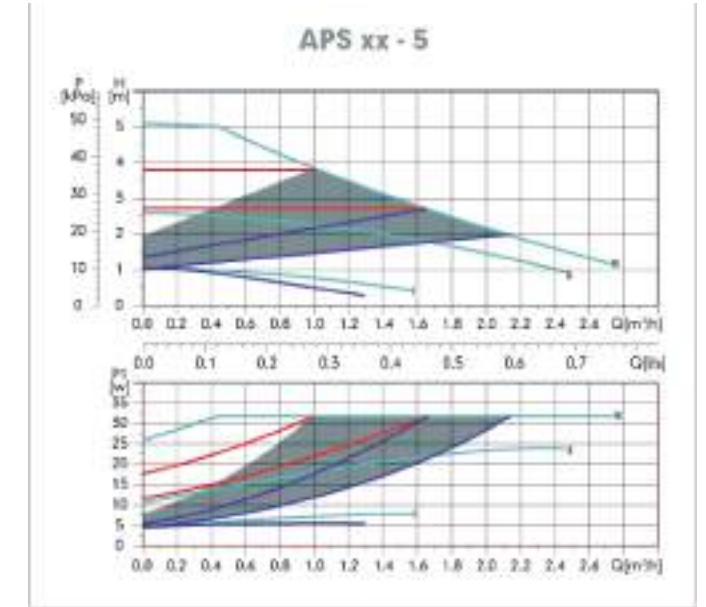
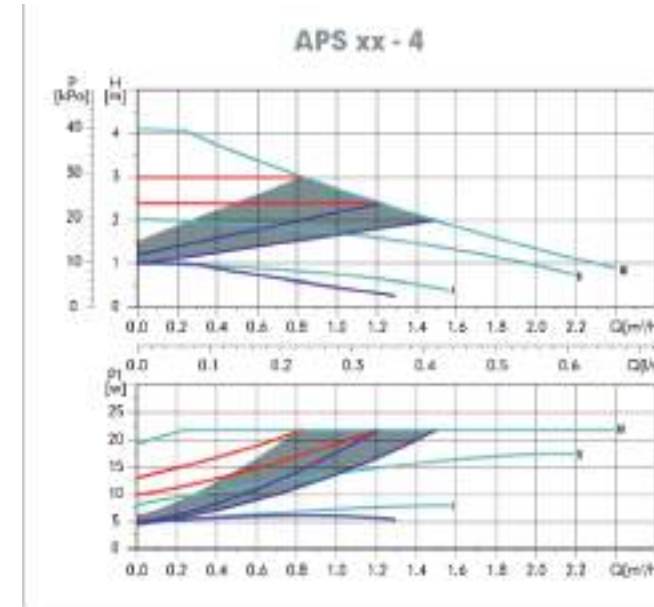
### Features and Benefits

- Compact design, with control box integrated into the pump head
- Auto-Adapter control mode as the default setting, suitable for most applications
- Integrated differential pressure control (specific and constant pressure control)
- Display showing actual power consumption (P1) in Watts
- Low noise
- Automatic night setback
- Motor based on permanent-magnet / compact-stator technology
- Integrated frequency converter
- Energy saving

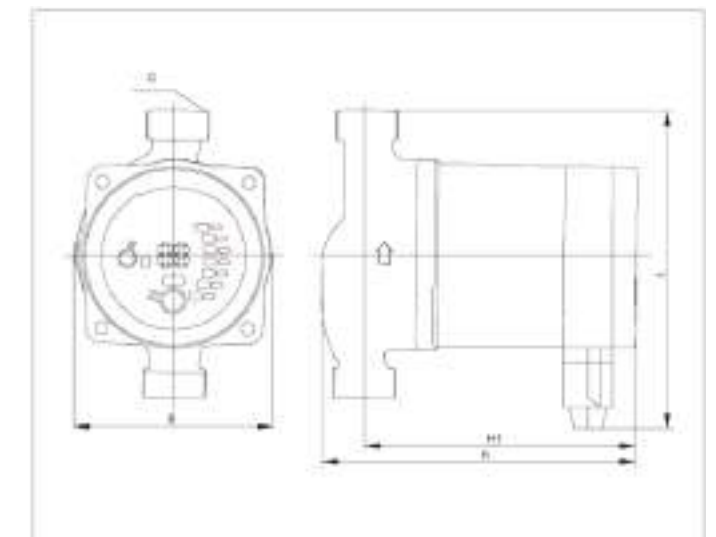
### Control Panel



### Performance Curve



### Dimensions



### Technical Data

| Model             | Max.power (W) | Measurement(mm) |     |     |                    |    | Weight(kg) |      | G.W.Volume(m <sup>3</sup> ) |
|-------------------|---------------|-----------------|-----|-----|--------------------|----|------------|------|-----------------------------|
|                   |               | H               | H1  | L   | G                  | B  | N.W.       | G.W. |                             |
| APS15/20/25-4-130 | 25            | 147             | 130 | 155 | 3/4" / 1" / 1 1/2" | 92 | 2.4        | 2.8  | 0.003                       |
| APS15/20/25-5-130 | 35            | 147             | 130 | 155 | 3/4" / 1" / 1 1/2" | 92 | 2.5        | 3.0  | 0.003                       |
| APS15/20/25-6-130 | 45            | 147             | 130 | 155 | 3/4" / 1" / 1 1/2" | 92 | 2.5        | 3.0  | 0.003                       |
| APS25/32-4-180    | 25            | 150             | 130 | 205 | 1 1/2" / 2"        | 92 | 2.8        | 3.4  | 0.004                       |
| APS25/32-5-180    | 35            | 150             | 130 | 205 | 1 1/2" / 2"        | 92 | 2.9        | 3.5  | 0.004                       |
| APS25/32-6-180    | 45            | 150             | 130 | 205 | 1 1/2" / 2"        | 92 | 2.9        | 3.5  | 0.004                       |